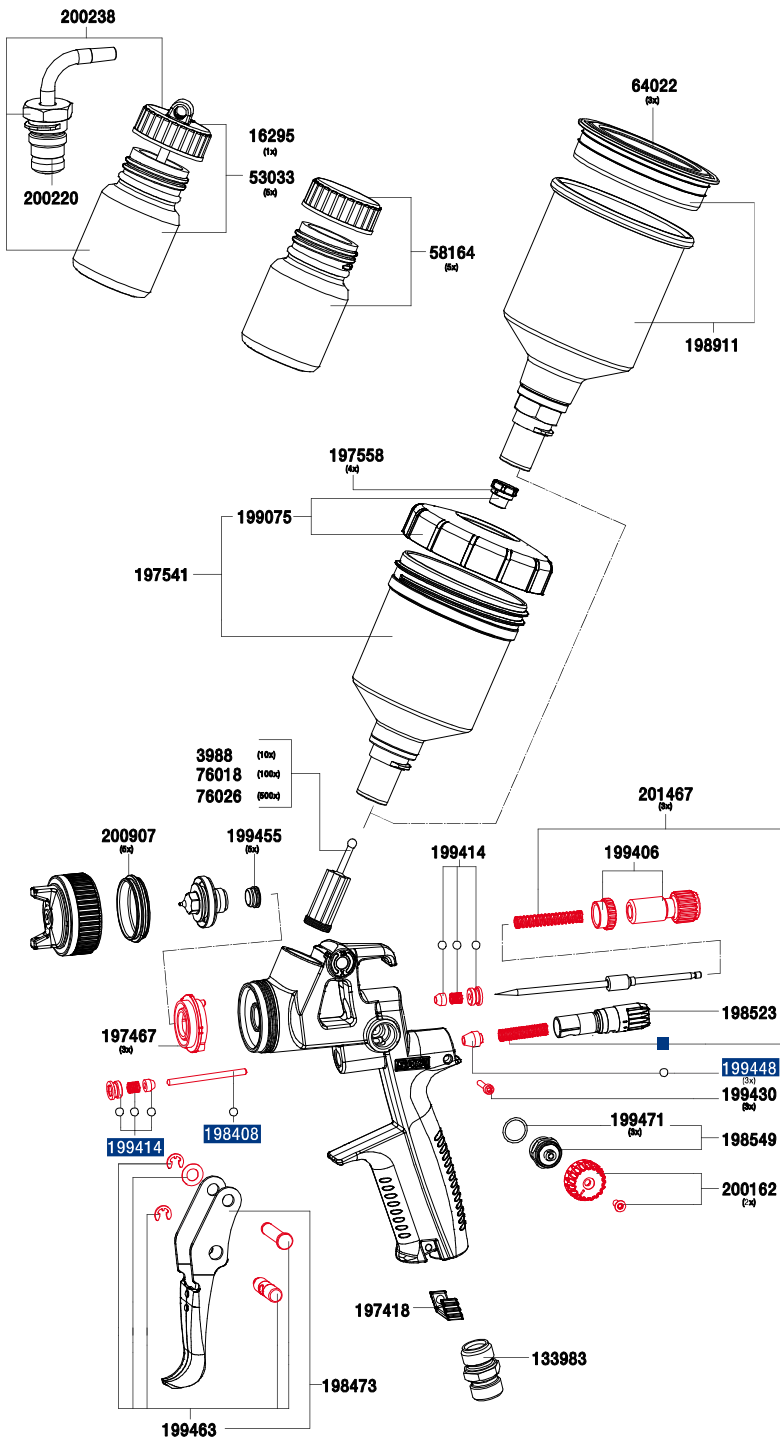


# Spare parts SATAminijet® 4400 B

Art. No./Descr.
3988
Paint strainer, 300 µm (packing unit 10 pieces)
16295
25 ml glass cup with plug-in cup
53033
25 ml glass cup with plug-in cup (packing unit 5 pieces)
58164
25 ml glass cup with blind lid (packing unit 5 pieces)
64022
Plastic lid (3 pieces)
76018
Paint strainer, 300 µm (packing unit 100 pieces)
76026
Paint strainer, 300 µm (packing unit 500 pieces)
133983
Air connection piece 1/4" male thread
197418
CCS Clips, green, blue, red, black (packing unit 4 pieces)
197467
Air distribution ring (packing unit 3 pieces)
197541
0.125 l QCC reusable plastic cup, cpl.
197558
Anti-drip device (packing unit 4 pieces)
198408
Air piston rod
198473
Trigger kit
198523
Air micrometer
198549
Spindle for round / flat spray control
198911
0.15 l QCC reusable aluminium cup, cpl.
199075
Screw cap with drip catcher ring and anti-drip device
199406
Material flow control with counter nut
199414
Packing for paint needle and air piston rod
199430
Adjustment screw (packing unit 3 pieces) for air micrometer
199448
Air piston head (packing unit 3 pieces)
199455
Sealing element (packing unit 5 pieces) for fluid tip
199463
Trigger sleeve kit
199471
Gasket (packing unit 3 pieces) for spindle
201467
Pressure spring (each 3 pieces) for paint needle and air piston
200162
Control knob with screw (each 2 pieces)
200220
Plug-in cup connection with QCC
200238
25 ml glass cup with plug-in lid (packing unit 5 pieces) and QCC plug-in connection (packing unit 1 piece)
200907
Sealing ring (packing unit 5 pieces)



All prices are recommended list prices. Errors, technical modifications and printing errors reserved.

Art. No./Descr.
198572
<b>Tool kit</b>
· Universal spanner
· Combi tool
· Cleaning brush
· Paint strainer
· Extraction tool



Art. No./Descr.
198614
<b>Repair kit</b>
199422
<b>Air piston service unit</b>
○ 200246
<b>Sealing kit</b>