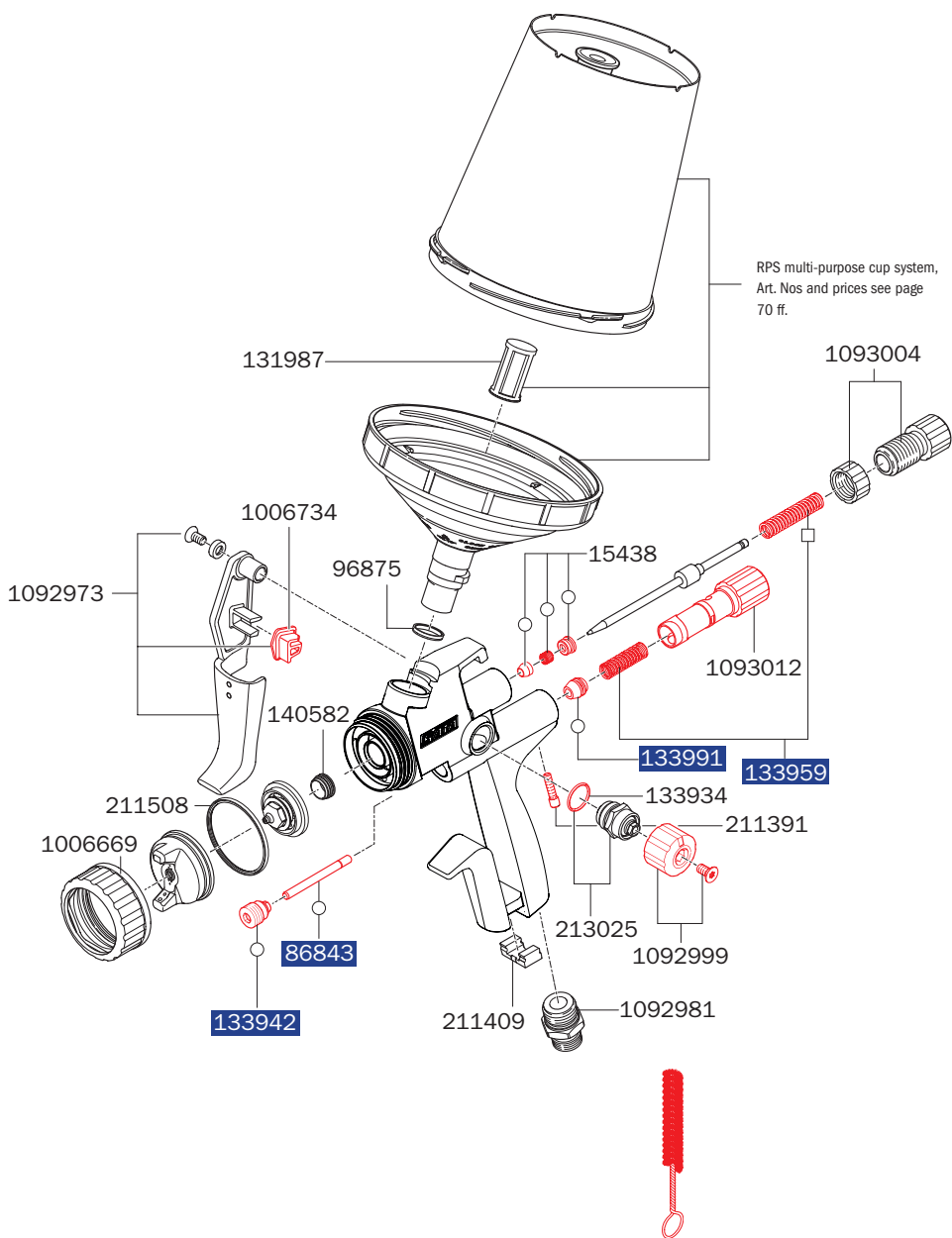


Spare Parts SATAjet® X 5500 PHASER

Art. No./Descr.
15438
Paint needle packing
86843
Air piston rod
96875
PVC insert for paint spray guns with QCC cup connection
131987
Spare plug-in sieve 200 µm, pastel green (packing unit 100 pieces)
133934
Sealing (packing unit 3 pieces) for spindle
133942
Seal retainer, cpl.
133959
Pressure spring (3 pieces) for paint needle and air piston
133991
Air piston head (packing unit 3 pieces)
140582
Sealing element (packing unit 5 pieces) for fluid tip
211391
Locking screw (packing unit 3 pieces) for air micrometer
211409
CCS-Clips, green, blue, red, black (packing unit 4 pieces)
211508
Sealing ring (packing unit 5 pieces)
213025
Spindle, cpl., for round / flat spray control
1006669
Kit consisting of coloured marking rings (blue, green, black, packing unit each 1 piece)
1006734
Trigger fixing clip
1057323
Tool kit
1092973
Trigger kit
1092981
Air connection piece 1/4" male thread
1092999
Control knob with screw (pack of 2 pieces)
1093004
Material flow control with counter nut
1093012
Air micrometer



All prices are recommended list prices. Errors, technical modifications and printing errors reserved.

Art. No./Descr.	
1057323	
Tool kit	
1097379	Universal key kit (pack of 3 pieces)

Art. No./Descr.
1093020
Repair kit
82552
Air piston service unit
○ 136960
Sealing kit