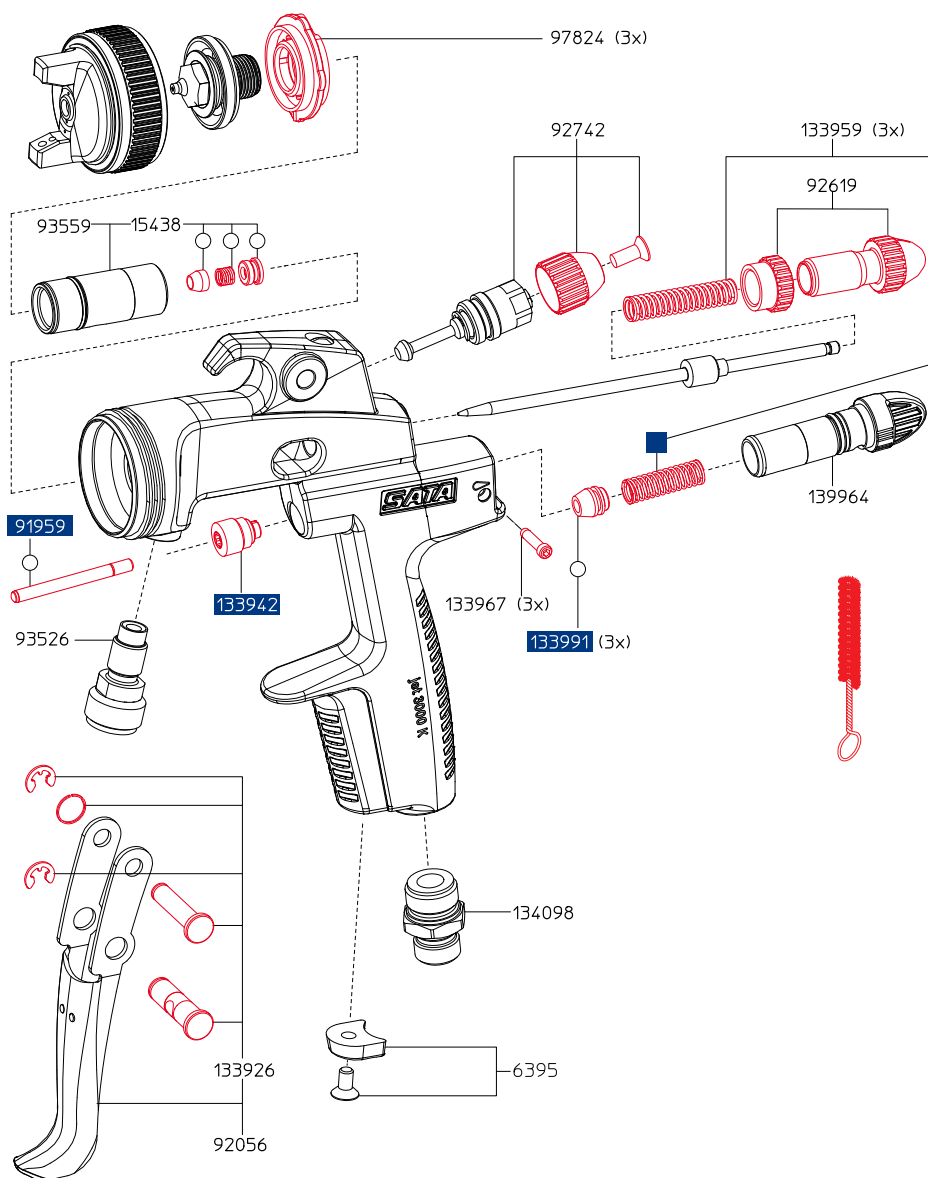


# Spare Parts SATAjet® 3000 K

Art. No./Descr.
6395 CCS Clips, green, blue, red, black packing unit 4 pieces)
15438 Paint needle packing
91959 Air piston rod
92056 Trigger kit
92619 Material flow control with counter nut
92742 Round/flat spray control
93526 Material connection, stainless steel
93559 Insert, stainless steel
97824 Air distribution ring (3 pieces)
133926 Trigger sleeve kit
133942 Seal retainer, cpl.
133959 Pressure spring (3 pieces) for paint needle and air piston
133967 Adjustment screw (packing unit 3 pieces) for air micrometer
133991 Air piston head (packing unit 3 pieces)
134098 Air connection piece 1/4" (male thread)
139964 Air micrometer



All prices are recommended list prices. Errors, technical modifications and printing errors reserved.

Art. No./Descr.
9050 <b>Tool kit</b>
· Extraction tool
· Paint strainer
· Cleaning brush
· Allen wrench 2 mm width
· Allen wrench 4 mm width
· Universal spanner



Art. No./Descr.
92767 <b>Repair kit</b>
92759 <b>Air piston service unit</b>
○ 183780 <b>Sealing kit</b>