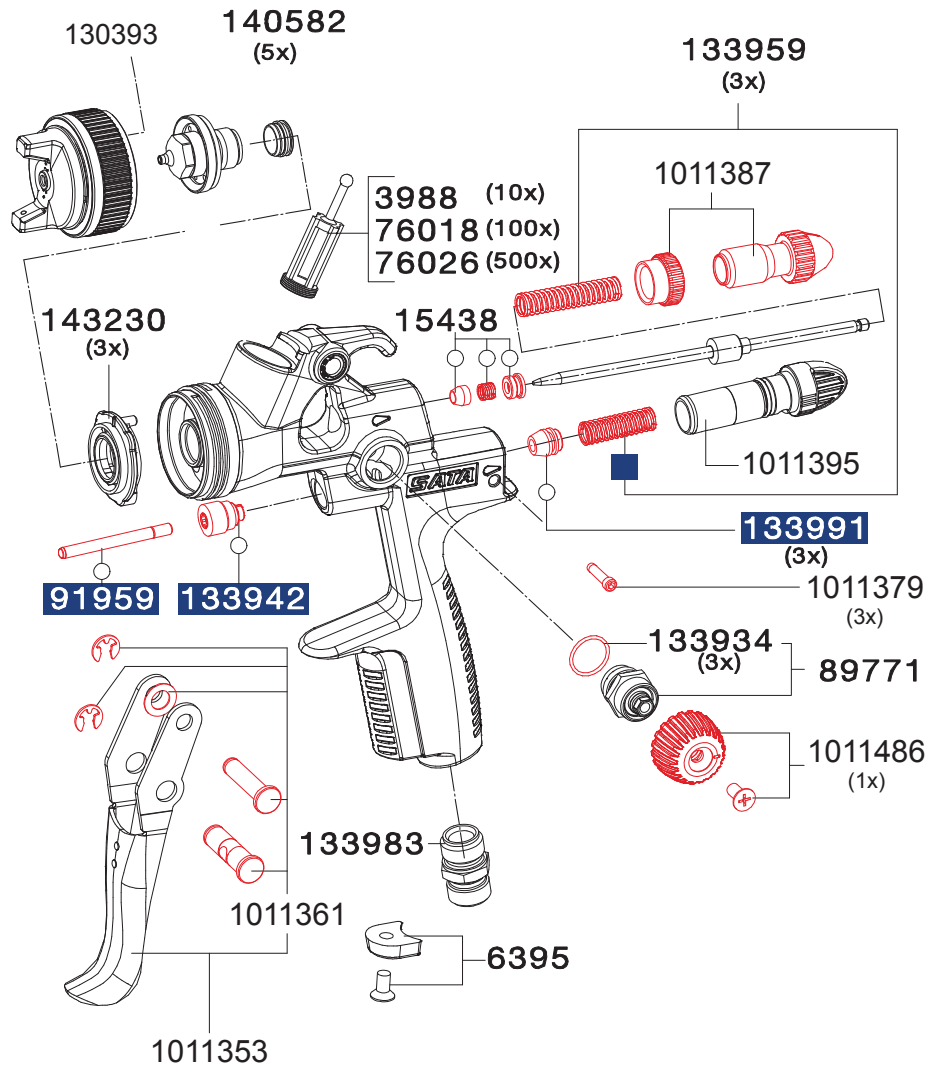


Spare parts SATAjet® 1500 B SoLV

Part No./Description
3988 Paint strainer, 300 µm (packing unit 10 pieces)
6395 CCS Clips, green, blue, red, black (packing unit 4 pieces)
15438 Paint needle packing
76018 Paint strainer, 300 µm (packing unit 100 pieces)
76026 Paint strainer, 300 µm (packing unit 500 pieces)
89771 Spindle, cpl., f. round / flat spray control SATAjet 2000 HVLP
91959 Air piston rod
1011353 Trigger kit
1011361 Trigger sleeve kit
133934 Sealing (packing unit 3 pieces) for spindle
133942 Seal retainer, cpl.
133959 Pressure spring (3 pieces) for paint needle and air piston
1011379 Locking screw (packing unit 3 pieces) for air micrometer
133983 Air connection piece 1/4" male thread
133991 Air piston head (packing unit 3 pieces)
1011387 Material flow control with counter nut
1011395 Air micrometer
1011486 Fan control knob with screw (packing unit 2 pieces)
140582 Sealing element (packing unit 5 pieces) for fluid tip
143230 Air distribution ring (packing unit 3 pieces)



Technical modifications and printing errors reserved

Part No./Descr.
9050 Tool kit
<ul style="list-style-type: none"> Extraction tool Paint strainer Cleaning brush Allen wrench 2 mm width Allen wrench 4 mm width Universal spanner



Part No./Descr.
1011527 Repair kit
92759 Air piston service unit
136960 Sealing kit