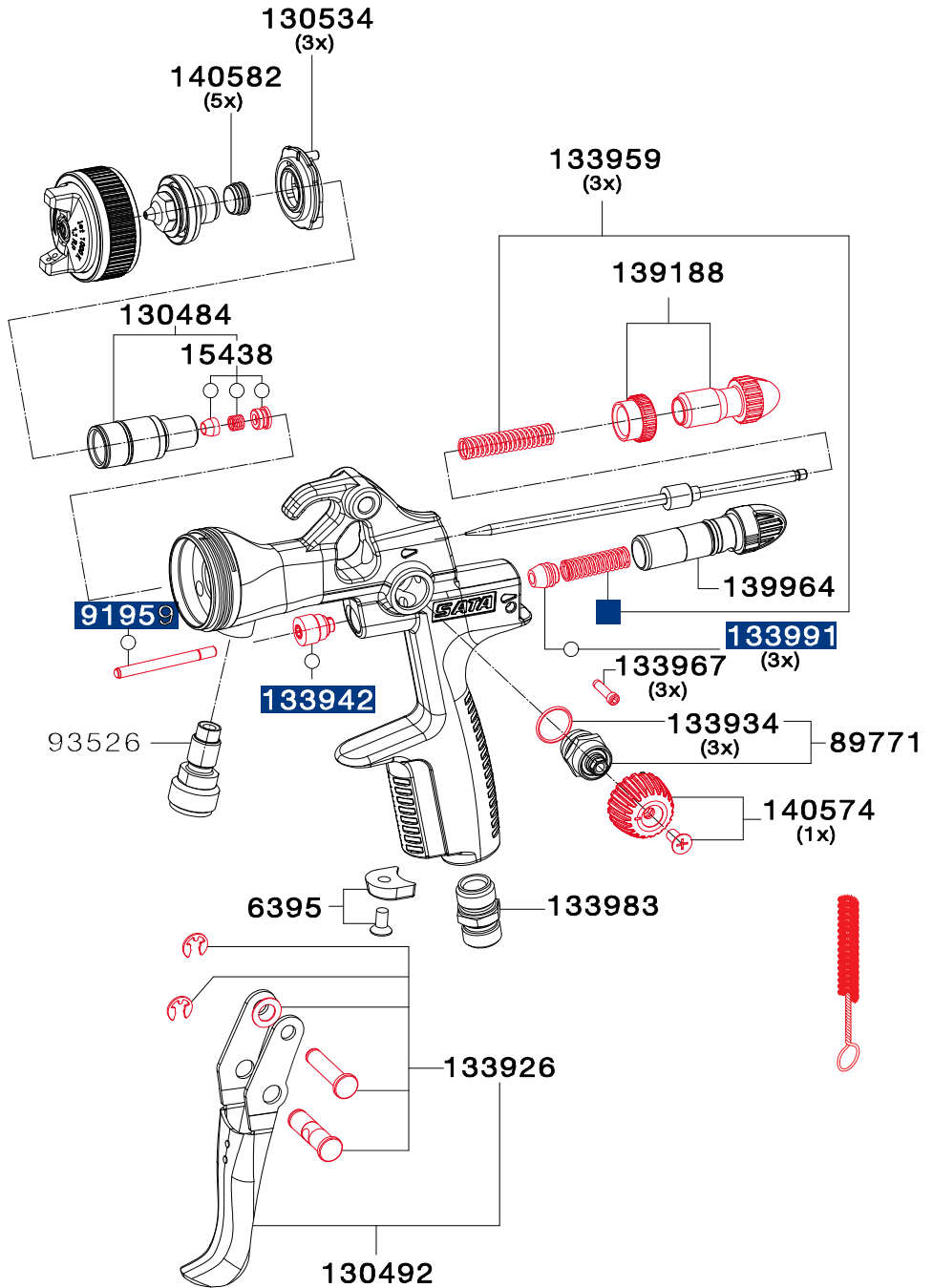


Spare Parts SATAjet® 1000 K

Art. No./Descr.
6395 CCS Clips, green, blue, red, black packing unit 4 pieces)
15438 Paint needle packing
89771 Spindle, cpl., f. round / flat spray control SATAjet 2000 HVLV
91959 Air piston rod
93526 Material connection, stainless steel
130484 Insert, cpl.
130492 Trigger kit
130534 Air distribution ring (packing unit 3 pieces)
133926 Trigger sleeve kit
133934 Sealing (packing unit 3 pieces) for spindle
133942 Seal retainer, cpl.
133959 Pressure spring (3 pieces) for paint needle and air piston
133967 Adjustment screw (packing unit 3 pieces) for air micrometer
133983 Air connection piece 1/4" male thread
133991 Air piston head (packing unit 3 pieces)
139188 Material flow control with counter nut
139964 Air micrometer
140574 Control knob with screw
140582 Sealing element (packing unit 5 pieces) for fluid tip



All prices are recommended list prices. Errors, technical modifications and printing errors reserved.

Art. No./Descr.
9050 Tool kit
<ul style="list-style-type: none"> · Extraction tool · Paint strainer · Cleaning brush · Allen wrench 2 mm width · Allen wrench 4 mm width · Universal spanner
1097379 Universal key kit (pack of 3 pieces)

Art. No./Descr.
130542 Repair kit
92759 Air piston service unit
183780 Sealing kit