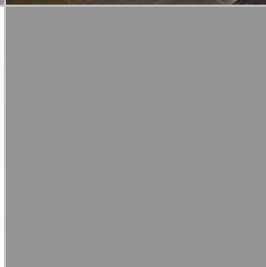


BESSEY Clamping and Cutting Technology

# Accessories and spare parts list 2020/2021



Simply better.



Prices valid from April 1st, 2020

## 4-7 Malleable cast iron screw clamps



TG / TPN  
TGK / TKPN  
TGNT

## 8-11 All-steel screw clamps



GZ / GS  
G...Z  
GU25-12-6ZK  
GMZ

## 12-13 Lever clamps



GH / GSH  
GHS / G...H

## 14-15 High-performance clamps



SLM / SGM / SGL  
SG...M / STBM  
STBS / STBVC  
SGU / STBU  
GSL / GSM

## 16 Variable screw clamps



SLV / GSV

## 17 Claw clamps



GRA...12

## 17 Toggle clamps



STC-VH / STC-HH  
STC-HV / STC-HA  
STC-IHH / STC-IHA  
TW..A-STC  
TW..VAD / TWVAD

## 18-20 Clamping elements



TWV / TW  
TWM28  
TW28GRS

## 21 Machine table clamps



BAS  
BSN  
SGHS

## 22 K Body parallel clamp REVO



KRE / KREV  
KR / KRV / K

## 23 Box clamp



KS

## 23 Area pressure clamps



FK

## 23 GearKlump



GK

## 24 One-handed clamps



EHZ / EZS

## 24 Grip pliers



GRZ  
GRZRO

**25 Rafter clamps**



**26 Mini Vice**



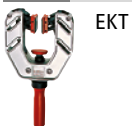
**26 Angle clamp**



**26 Band clamps**



**27 Edge clamps**



**27 Kantenfix and panel carrier**



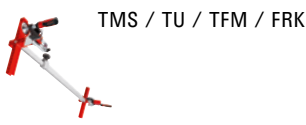
**28 Front frame clamp**



**28 Seaming tools**



**28-30 Door frame and window assembly tools**



**31 Compound leverage snips**



**32 Standard tin snips**



**33 Nibbler**



**33 Folding utility knives**



The BESSEY Product Development Department reserves the right for technical alterations.  
 Errors and omissions excepted – to the best of our knowledge the information supplied is accurate.  
 All prices are non-binding recommended prices without sales tax.


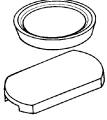

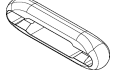
## Malleable cast iron screw clamps

suitable for series TG and TPN

	Sliding arm cpl. with 2-component plastic handle,		2-component plastic handle, incl. high-quality steel pressure plate with protection cap			Sliding arm cpl. with wooden handle		Wooden handle, incl. high-quality steel pressure plate with protection cap		
	Throat depth mm	For rail mm	Length x Ø mm	Head Ø mm	Acme thread mm	Throat depth mm	For rail mm	Length x Ø mm	Head Ø mm	Acme thread mm
<b>TG10 / TG...B5</b>										
<b>Order-No.</b>	-		-			-		-		
<b>Price</b>										
<b>TG12 / TG...B6</b>										
<b>Order-No.</b>	-		-			-		-		
<b>Price</b>										
<b>TG 16 TG...B8 TPN 16 TPN...B8</b>			110 x 30	10	14 x 4					
<b>Order-No.</b>	-		3101179			-		-		
<b>Price</b>			10,10 EUR							
<b>TG 20 TG...S10 TPN 20 TPN...S10</b>			110 x 30	12	16 x 4	100	27 x 7	112 x 30	12	16 x 4
<b>Order-No.</b>	-		3101182			3101413		3101386		
<b>Price</b>			13,20 EUR			23,10 EUR		11,00 EUR		
<b>TG 25 TG...S12 TPN 25 TPN...S12</b>	120	29 x 9	130 x 34	12	16 x 4	120	29 x 9	125 x 32	12	16 x 4
<b>Order-No.</b>	3101832		3101186			3101414		3101389		
<b>Price</b>	32,20 EUR		14,70 EUR			30,60 EUR		12,70 EUR		
<b>TG 30 TG...S14 TPN 30 TPN...S14</b>	140	32 x 10	130 x 34	13	18 x 5	140	32 x 10	140 x 35	13	18 x 5
<b>Order-No.</b>	3101833		3101187			3101415		3101390		
<b>Price</b>	35,90 EUR		16,10 EUR			33,90 EUR		14,10 EUR		
<b>TG 40 TG...S17</b>	175	32 x 10	130 x 34	13	18 x 5	175	32 x 10	140 x 35	13	18 x 5
<b>Order-No.</b>	3101834		3101187			3101416		3101390		
<b>Price</b>	43,20 EUR		16,10 EUR			41,30 EUR		14,10 EUR		
<b>TPN 40 TPN...S17</b>	175	32 x 10	130 x 34	13	18 x 5	175	32 x 10	140 x 35	13	18 x 5
<b>Order-No.</b>	3101834		3101187			3101416		3101390		
<b>Price</b>	43,20 EUR		16,10 EUR			41,30 EUR		14,10 EUR		

## Malleable cast iron screw clamps

suitable for series TG and TPN

	Pressure plate with protection cap changeable from size 16	Protection cap for moveable jaw & for fixed jaw		Pressure cap strips	Tommy bar accessory accessory KA
					
	4 pcs. in bag	10 pairs in bag		2 pcs. in bag	2 pcs. in bag
	Ø mm	For Ø mm	For width mm		only suitable for tommy bar versions
<b>TG10 / TG...B5</b>	22	22	17		
<b>Order-No.</b>	<b>3101339</b>	<b>3101391</b>		–	–
<b>Price</b>	5,60 EUR	11,10 EUR			
<b>TG12 / TG...B6</b>	22	22	19		
<b>Order-No.</b>	<b>3101339</b>	<b>3101392</b>		–	–
<b>Price</b>	5,60 EUR	12,10 EUR			
<b>TG 16 TG...B8 TPN 16 TPN...B8</b>	25,5	25,5	23		
<b>Order-No.</b>	<b>3101180</b>	<b>3101393</b>		–	–
<b>Price</b>	8,40 EUR	12,70 EUR			
<b>TG 20 TG...S10 TPN 20 TPN...S10</b>	32	32	28		
<b>Order-No.</b>	<b>3101183</b>	<b>3101394</b>		–	<b>3101194</b>
<b>Price</b>	9,60 EUR	13,20 EUR			12,80 EUR
<b>TG 25 TG...S12 TPN 25 TPN...S12</b>	32	32	30		
<b>Order-No.</b>	<b>3101183</b>	<b>3101395</b>		–	<b>3101194</b>
<b>Price</b>	9,60 EUR	13,90 EUR			12,80 EUR
<b>TG 30 TG...S14 TPN 30 TPN...S14</b>	38,5	38,5	32		
<b>Order-No.</b>	<b>3101188</b>	<b>3101396</b>		–	<b>3101194</b>
<b>Price</b>	11,00 EUR	14,70 EUR			12,80 EUR
<b>TG 40 TG...S17</b>	38,5	38,5	32		
<b>Order-No.</b>	<b>3101188</b>	<b>3101396</b>		–	<b>3101194</b>
<b>Price</b>	11,00 EUR	14,70 EUR			12,80 EUR
<b>TPN 40 TPN...S17</b>	38,5				
<b>Order-No.</b>	<b>3101188</b>	–		<b>SKS20/40</b>	<b>3101194</b>
<b>Price</b>	11,00 EUR			7,40 EUR	12,80 EUR

## Heavy duty malleable cast iron screw clamps

suitable for series TGK and TKPN

	Sliding arm cpl. with 2-component plastic handle		2-component plastic handle, incl. high-quality steel pressure plate with protection cap			Sliding arm cpl. with wooden handle		Wooden handle, incl. high-quality steel pressure plate with protection cap		
	Throat depth mm	For rail mm	Length x Ø mm	Head Ø mm	Acme thread mm	Throat depth mm	For rail mm	Length x Ø mm	Head Ø mm	Acme thread mm
<b>TGK TKPN</b>	120	35 x 11	130 x 34	13	18 x 5	120	35 x 11	140 x 35	13	18 x 5
<b>Order-No.</b>	3101838		3101187			3101417		3101390		
<b>Price</b>	34,90 EUR		16,10 EUR			33,00 EUR		14,10 EUR		

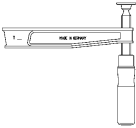
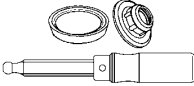

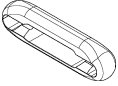
## Heavy duty malleable cast iron screw clamps

suitable for series TGK and TKPN

	Tommy bar		Pressure plate with protection cap	Pressure cap strips		Tommy bar accessory KA
	Throat depth mm	For rail mm	Ø mm	For Ø mm	For width mm	only suitable for tommy bar versions
<b>TGK TKPN</b>			38,5	25,5	23	
<b>Order-No.</b>	-		3101188	SKS20/40		3101194
<b>Price</b>			11,00 EUR	7,40 EUR		12,80 EUR
<b>TGK-K</b>	120	35 x 11	38,5	25,5	23	
<b>Order-No.</b>	3101418		3101188	SKS20/40		3101194
<b>Price</b>	38,00 EUR		11,00 EUR	7,40 EUR		12,80 EUR

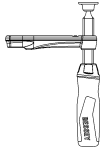
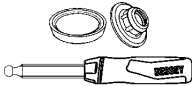
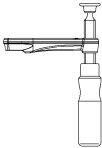
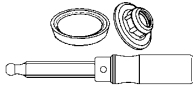
## Deep throat clamps

suitable for series TGNT

	Sliding arm cpl. with wooden handle		Wooden handle, incl. high-quality steel pressure plate with protection cap			Pressure plate with protection cap	Tommy bar accessory KA
						 4 pcs. in bag	 2 pcs. in bag
	Throat depth mm	For rail mm	Length x Ø mm	Head Ø mm	Acme thread mm	Ø mm	only suitable for tommy bar versions
<b>TGN...T20</b>	200	35 x 11	140 x 35	13	18 x 5	38,5	
<b>Order-No.</b>	<b>3101419</b>		<b>3101390</b>			<b>3101188</b>	<b>3101194</b>
<b>Price</b>	55,70 EUR		14,10 EUR			11,00 EUR	12,80 EUR
<b>TGN...T25</b>	250	40 x 11	140 x 35	13	18 x 5	38,5	
<b>Order-No.</b>	<b>3101420</b>		<b>3101390</b>			<b>3101188</b>	<b>3101194</b>
<b>Price</b>	64,50 EUR		14,10 EUR			11,00 EUR	12,80 EUR
<b>TGN...T30</b>	300	45 x 12	140 x 35	13	18 x 5	38,5	
<b>Order-No.</b>	<b>3101421</b>		<b>3101390</b>			<b>3101188</b>	<b>3101194</b>
<b>Price</b>	80,50 EUR		14,10 EUR			11,00 EUR	12,80 EUR
<b>TGN...T40</b>			140 x 35	13	18 x 5	38,5	
<b>Order-No.</b>	-		<b>3101390</b>			<b>3101188</b>	<b>3101194</b>
<b>Price</b>			14,10 EUR			11,00 EUR	12,80 EUR
<b>TGN...T50</b>			140 x 35	13	18 x 5	38,5	
<b>Order-No.</b>	-		<b>3101390</b>			<b>3101188</b>	<b>3101194</b>
<b>Price</b>			14,10 EUR			11,00 EUR	12,80 EUR

## All-steel screw clamps – new version from 01.07.09

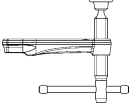
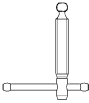

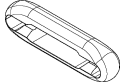
suitable for series GZ

Sliding arm cpl. with 2-component plastic handle		2-component plastic handle, incl. high-quality steel pressure plate with protection cap			Sliding arm cpl. with wooden handle		Wooden handle, incl. high-quality steel pressure plate with protection cap		
									
Throat depth mm	For rail mm	Length x Ø mm	Head Ø mm	Acme thread mm	Throat depth mm	For rail mm	Length x Ø mm	Head Ø mm	Acme thread mm
<b>GZ 10 / GZ 12</b>									
Order-No.		-			-		-		
Price		-			-		-		
<b>GZ 16</b>									
Order-No.		110 x 30	10	14 x 4	-		-		
Price		3101179 10,10 EUR			-		-		
<b>GZ 20 GZ...-10</b>									
Order-No.		110 x 30	12	16 x 4	100	22 x 8,5	112 x 30	12	16 x 4
Price		3101182 13,20 EUR			3101516 19,90 EUR		3101386 11,00 EUR		
<b>GZ 25 GZ...-12</b>									
120	24 x 9,5	130 x 34	12	16 x 4	120	24 x 9,5	125 x 32	12	16 x 4
Order-No.		3101835			3101517		3101389		
Price		24,90 EUR			23,20 EUR		12,70 EUR		
<b>GZ 30</b>									
140	28 x 11	130 x 34	13	18 x 5	140	28 x 11	140 x 35	13	18 x 5
Order-No.		3101836			3101518		3101390		
Price		29,70 EUR			27,80 EUR		14,10 EUR		
<b>GZ 40 - GZ 125</b>									
120	28 x 11	130 x 34	13	18 x 5	120	28 x 11	140 x 35	13	18 x 5
Order-No.		3101837			3101519		3101390		
Price		32,20 EUR			30,40 EUR		14,10 EUR		



## All-steel screw clamps – new version from 01.07.09

suitable for series GZ

Sliding arm cpl. with tommy bar		Tommy bar	Pressure plate with protection cap changeable from size 16	Tommy bar accessory KA
				
			4 pcs. in bag	2 pcs. in bag
Throat depth mm	For rail mm	Acme thread mm	Ø mm	only suitable for tommy bar versions
<b>GZ 10 / GZ 12</b>			22	
<b>Order-No.</b>	–	–	<b>3101339</b>	–
<b>Price</b>			5,60 EUR	
<b>GZ 16</b>		14 x 4	25,5	
<b>Order-No.</b>	–	<b>3101795</b>	<b>3101180</b>	–
<b>Price</b>		12,30 EUR	8,40 EUR	
<b>GZ 20 GZ...-10</b>		16 x 4	32	
<b>Order-No.</b>	<b>3101441</b>	<b>3101796</b>	<b>3101183</b>	<b>3101194</b>
<b>Price</b>	26,10 EUR	13,20 EUR	9,60 EUR	12,80 EUR
<b>GZ 25 GZ...-12</b>		16 x 4	32	
<b>Order-No.</b>	<b>3101444</b>	<b>3101796</b>	<b>3101183</b>	<b>3101194</b>
<b>Price</b>	28,20 EUR	13,20 EUR	9,60 EUR	12,80 EUR
<b>GZ 30</b>		18 x 5	38,5	
<b>Order-No.</b>	<b>3101447</b>	<b>3101797</b>	<b>3101188</b>	<b>3101194</b>
<b>Price</b>	32,70 EUR	14,80 EUR	11,00 EUR	12,80 EUR
<b>GZ 40 - GZ 125</b>		18 x 5	38,5	
<b>Order-No.</b>	<b>3101450</b>	<b>3101797</b>	<b>3101188</b>	<b>3101194</b>
<b>Price</b>	35,40 EUR	14,80 EUR	11,00 EUR	12,80 EUR

## OMEGA screw clamps, All-steel screw clamps classiX and

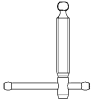

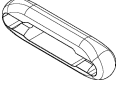
### All-steel screw clamps – old version up 30.06.09

suitable for series GMZ, G...Z, GS

	Sliding arm cpl. with wooden handle		Sliding arm cpl. with tommy bar		Wooden handle, incl. high-quality steel pressure plate with protection cap			2-component plastic handle, incl. high-quality steel pressure plate with protection cap		
	Throat depth mm	For rail mm	Throat depth mm	For rail mm	Length x Ø mm	Head Ø mm	Acme thread mm	Length x Ø mm	Head Ø mm	Acme thread mm
<b>G10Z / G12Z</b> <b>GS10 / GS12</b>										
<b>Order-No.</b>	-		-		-			-		
<b>Price</b>	-		-		-			-		
<b>G16Z / GS16</b>								110 x 30	10	14 x 4
<b>Order-No.</b>	-		-		-			3101179		
<b>Price</b>	-		-		-			10,10 EUR		
<b>G20Z / G...-S10Z</b> <b>GS20</b> <b>GM 20Z</b> <b>GM...S10Z</b>	100	19,5 x 9,5	100	19,5 x 9,5	112 x 30	12	16 x 4	110 x 30	12	16 x 4
<b>Order-No.</b>	3101422		3101800		3101386			3101182		
<b>Price</b>	19,90 EUR		26,20 EUR		11,00 EUR			13,20 EUR		
<b>G25Z / G...-S12Z</b> <b>GS25</b> <b>GM 25Z</b> <b>GM...-S12Z</b> <b>GU25-12-6ZK</b>	120	22 x 10,5	120	22 x 10,5	125 x 32	12	16 x 4	130 x 34	12	16 x 4
<b>Order-No.</b>	3101423		3101801		3101389			3101186		
<b>Price</b>	23,20 EUR		28,20 EUR		12,70 EUR			14,70 EUR		
<b>G30Z / GS30</b> <b>GM30Z</b>	140	25 x 12	140	25 x 12	140 x 35	13	18 x 5	130 x 34	13	18 x 5
<b>Order-No.</b>	3101424		3101802		3101390			3101187		
<b>Price</b>	27,80 EUR		32,00 EUR		14,10 EUR			16,10 EUR		
<b>G40Z - G60Z</b> <b>GS40 - GS60</b> <b>GM40Z - GM60Z</b>	120	25 x 12	120	25 x 12	140 x 35	13	18 x 5	130 x 34	13	18 x 5
<b>Order-No.</b>	3101425		3101803		3101390			3101187		
<b>Price</b>	30,40 EUR		35,40 EUR		14,10 EUR			16,10 EUR		
<b>G80Z - G125Z</b> <b>GS80 - GS100</b> <b>GM80Z - GM125Z</b>	120	27 x 13	120	27 x 13	140 x 35	13	18 x 5	130 x 34	13	18 x 5
<b>Order-No.</b>	3101426		3101804		3101390			3101187		
<b>Price</b>	30,40 EUR		35,40 EUR		14,10 EUR			16,10 EUR		

## OMEGA screw clamps, All-steel screw clamps classiX and All-steel screw clamps – old version up 30.06.09

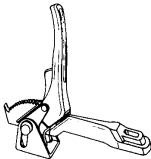
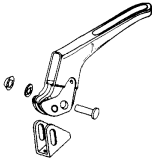
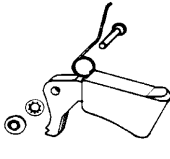
suitable for series GMZ, G...Z, GS

	Tommy bar	Pressure plate with protection cap changeable from size 16	Tommy bar accessory KA
		 4 pcs. in bag	 2 pcs. in bag
	Acme thread mm	Ø mm	only suitable for tommy bar versions
<b>G10Z / G12Z GS10 / GS12</b>		22	
<b>Order-No.</b>	–	<b>3101339</b>	–
<b>Price</b>		5,60 EUR	
<b>G16Z / GS16</b>	14 x 4	25,5	
<b>Order-No.</b>	<b>3101795</b>	<b>3101180</b>	–
<b>Price</b>	12,30 EUR	8,40 EUR	
<b>G20Z/G...-S10Z GS20 GM 20Z GM...S10Z</b>	16 x 4	32	
<b>Order-No.</b>	<b>3101796</b>	<b>3101183</b>	<b>3101194</b>
<b>Price</b>	13,20 EUR	9,60 EUR	12,80 EUR
<b>G25Z/G...-S12Z GS25 GM 25Z GM...-S12Z GU25-12-6ZK</b>	16 x 4	32	
<b>Order-No.</b>	<b>3101796</b>	<b>3101183</b>	<b>3101194</b>
<b>Price</b>	13,20 EUR	9,60 EUR	12,80 EUR
<b>G30Z / GS30 GM30Z</b>	18 x 5	38,5	
<b>Order-No.</b>	<b>3101797</b>	<b>3101188</b>	<b>3101194</b>
<b>Price</b>	14,80 EUR	11,00 EUR	12,80 EUR
<b>G40Z-G60Z GS40-GS60 GM40Z-GM60Z</b>	18 x 5	38,5	
<b>Order-No.</b>	<b>3101797</b>	<b>3101188</b>	<b>3101194</b>
<b>Price</b>	14,80 EUR	11,00 EUR	12,80 EUR
<b>G80Z-G125Z GS80-GS100 GM80Z-GM125Z</b>	18 x 5	38,5	
<b>Order-No.</b>	<b>3101797</b>	<b>3101188</b>	<b>3101194</b>
<b>Price</b>	14,80 EUR	11,00 EUR	12,80 EUR

# BESSEY Accessories and spare parts list 2020/2021

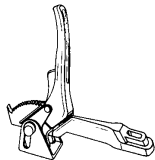
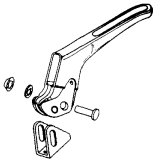
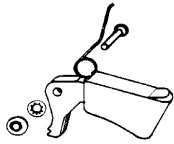
## Lever clamps – GH – new version from 01.03.10

suitable for series GH

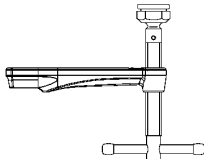
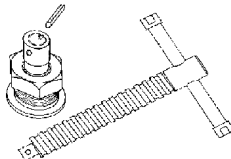

	Sliding arm cpl.		Lever pressure plate cpl..	Trigger cpl.
				 2 pcs. in bag
	Throat depth mm	For rail mm	Bolt-Ø x l mm	Bolt-Ø x l mm
<b>GH 12 GH 16</b>				5h11 x 21
<b>Order-No.</b>	-		-	<b>3101399</b>
<b>Price</b>				9,60 EUR
<b>GH 20 GH...-10</b>	100	22 x 8,5	10 x 33,5	5h11 x 23
<b>Order-No.</b>	<b>3101522</b>		<b>3101397</b>	<b>3101400</b>
<b>Price</b>	53,20 EUR		20,70 EUR	10,30 EUR
<b>GH 25 GH...-12</b>	120	24,5 x 9,5	10 x 33,5	5h11 x 23
<b>Order-No.</b>	<b>3101523</b>		<b>3101397</b>	<b>3101400</b>
<b>Price</b>	54,70 EUR		20,70 EUR	10,30 EUR
<b>GH 30</b>	140	28 x 11	12 x 38	5h11 x 26
<b>Order-No.</b>	<b>3101524</b>		<b>3101398</b>	<b>3101401</b>
<b>Price</b>	67,00 EUR		29,10 EUR	11,10 EUR
<b>GH 40 - GH 100</b>	120	28 x 11	12 x 38	5h11 x 26
<b>Order-No.</b>	<b>3101525</b>		<b>3101398</b>	<b>3101401</b>
<b>Price</b>	76,00 EUR		29,10 EUR	11,10 EUR

## Lever clamps classiX – GSH and Lever clamps – GH – old version up 28.02.10






suitable for series G...H, GSH

	Sliding arm cpl.		Lever pressure plate cpl..	Trigger cpl.
	Throat depth mm	For rail mm	Bolt-Ø x l mm	Bolt-Ø x l mm
				 2 pcs. in bag
<b>G12H / G...S6H G16H / G...S8H GSH12 - GSH16</b>				5h11 x 21
<b>Order-No.</b>	-		-	<b>3101399</b>
<b>Price</b>				9,60 EUR
<b>G20H / G...S10H GSH20</b>	100	19,5 x 9,5	10 x 33,5	5h11 x 23
<b>Order-No.</b>	<b>3101333</b>		<b>3101397</b>	<b>3101400</b>
<b>Price</b>	53,20 EUR		20,70 EUR	10,10 EUR
<b>G25H / G...S12H GSH25 GU-H</b>	120	22 x 10,5	10 x 33,5	5h11 x 23
<b>Order-No.</b>	<b>3101334</b>		<b>3101397</b>	<b>3101400</b>
<b>Price</b>	54,70 EUR		20,70 EUR	10,10 EUR
<b>G30H GSH30</b>	140	25 x 12	12 x 38	5h11 x 26
<b>Order-No.</b>	<b>3101335</b>		<b>3101398</b>	<b>3101401</b>
<b>Price</b>	67,00 EUR		29,10 EUR	11,10 EUR
<b>G40H - G60H GSH40 - GSH60</b>	120	25 x 12	12 x 38	5h11 x 26
<b>Order-No.</b>	<b>3101336</b>		<b>3101398</b>	<b>3101401</b>
<b>Price</b>	76,00 EUR		29,10 EUR	11,10 EUR
<b>G80H - G100H</b>	120	27 x 13	12 x 38	5h11 x 26
<b>Order-No.</b>	<b>3101337</b>		<b>3101398</b>	<b>3101401</b>
<b>Price</b>	80,80 EUR		29,10 EUR	11,10 EUR

High-performance clamps – SLM and SGM – new version from 01.07.08

	Sliding arm cpl.		Combi set (Screw + special pressure plate + pressure pin)		Tommy bar accessory KA
					
	Throat depth mm	For rail mm	Acme thread mm	Tommy bar Ø x Length mm	2 pcs. in bag
<b>SL...M</b>	120	28 x 11	18 x 5	10 x 120	
Order-No.	3101521		3100398		3101194
Price	51,00 EUR		40,10 EUR		12,80 EUR
<b>SG...M</b>	140	34 x 13	20 x 5	11 x 120	
Order-No.	3101407		3100399		–
Price	61,20 EUR		44,00 EUR		

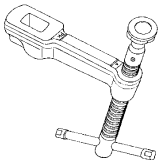
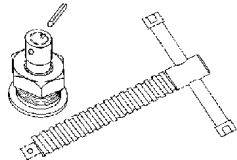
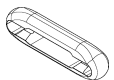
High-performance clamps – SLM/SGM/STBM/STBVC/SGU/STBU/STBS

	Regular special pressure plate		Rough surfaced special pressure plate -		V-groove special pressure plate		Socket/ bushing with spring ring	Cotter STBS
								
	Hole of screw mm	Pin mm	Hole of screw mm	Pin mm	Hole of screw mm	Pin mm	Thread	2 pcs. in bag
<b>SLM / SGM STBM / STBVC SGU</b>	12	5 x 20	12	5 x 20	12	5 x 20		
Order-No.	3100736		3101192		3101193		–	–
Price	20,30 EUR		22,80 EUR		22,80 EUR			
<b>STBU</b>	12	5 x 20	12	5 x 20	12	5 x 20		
Order-No.	3100737		3101192		3101193			
Price	30,60 EUR		22,80 EUR		22,80 EUR			
<b>STBS</b>	12	5 x 20					M 24	
Order-No.	3100737		–		–		3100579	3101788
Price	30,60 EUR						16,00 EUR	13,10 EUR


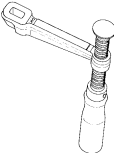
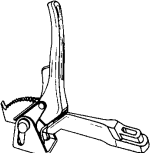
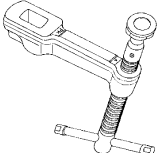
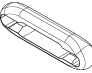
**High-performance clamps – STBVC/STB/STBS**

**High-performance clamps classiX – GSL und GSM**


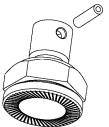

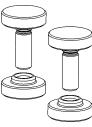
**High-performance clamps – SGL and SGM – old version up 30.06.08**

	Sliding arm cpl.		Combi set (Screw + special pressure plate + pressure pin)		Tommy bar accessory KA
					
					2 pcs. in bag
	Throat depth mm	For rail mm	Acme thread mm	Tommy bar Ø x Length mm	
<b>SGL...M / GSL</b>	120	27 x 13	18 x 5	10 x 120	
Order-No.	3101338		3100398		3101194
Price	51,00 EUR		40,10 EUR		12,80 EUR
<b>SG...M</b>	120	30 x 15	20 x 5	11 x 120	
Order-No.	3101329		3100399		–
Price	59,70 EUR		44,00 EUR		
<b>SG30M / GSM / SGU</b>	140	30 x 15	20 x 5	11 x 120	
Order-No.	3101330		3100399		–
Price	64,70 EUR		44,00 EUR		
<b>SG..T20M</b>	200	30 x 15	20 x 5	11 x 120	
Order-No.	3101331		3100399		–
Price	82,50 EUR		44,00 EUR		
<b>STB...M/STBU</b>	175	40 x 20	22 x 5	11 x 180	
Order-No.	3101332		3100400		–
Price	84,80 EUR		49,70 EUR		
<b>STBS</b>	200	50 x 25	M24	18 x 345	
Order-No.	3101798		3100401		–
Price	243,50 EUR		125,50 EUR		
<b>STBVC</b>	100	40 x 20	22 x 5	11 x 180	
Order-No.	3101882		3100400		–
Price	67,10 EUR		49,70 EUR		

Versatile clamp set 3 m opening SLV, GSV

	Rail		Sliding arms cpl. with wooden handle		Sliding arms cpl. with lever handle		Sliding arms cpl. with tommy bar		Tommy bar accessory KA
									 2 pcs. in bag
	Opening mm	Rail mm	Throat depth mm	For rail mm	Throat depth mm	For rail mm	Throat depth mm	For rail mm	
<b>SLV</b>	1000	27 x 13	120	27 x 13	120	27 x 13	120	27 x 13	
<b>Order-No.</b>	<b>3101731</b>		<b>3101426</b>		<b>3101337</b>		<b>3101338</b>		<b>3101194</b>
<b>Price</b>	47,40 EUR		30,40 EUR		80,80 EUR		51,00 EUR		12,80 EUR
<b>SLV</b>	1500	27 x 13	120	27 x 13	120	27 x 13	120	27 x 13	
<b>Order-No.</b>	<b>3101732</b>		<b>3101426</b>		<b>3101337</b>		<b>3101338</b>		<b>3101194</b>
<b>Price</b>	96,60 EUR		30,40 EUR		80,80 EUR		51,00 EUR		12,80 EUR
<b>SLV</b>	2000	27 x 13	120	27 x 13	120	27 x 13	120	27 x 13	
<b>Order-No.</b>	<b>3101733</b>		<b>3101426</b>		<b>3101337</b>		<b>3101338</b>		<b>3101194</b>
<b>Price</b>	144,90 EUR		30,40 EUR		80,80 EUR		51,00 EUR		12,80 EUR

<b>GSV</b>	3000	30 x 15					120	30 x 15	
<b>Order-No.</b>	<b>3101612</b>		-		-		<b>3101329</b>		-
<b>Price</b>	217,40 EUR						59,70 EUR		
<b>GSV</b>	3000	30 x 15					140	30 x 15	
<b>Order-No.</b>	<b>3101612</b>		-		-		<b>3101330</b>		-
<b>Price</b>	217,40 EUR						64,70 EUR		
<b>GSV</b>	3000	30 x 15					200	30 x 15	
<b>Order-No.</b>	<b>3101612</b>		-		-		<b>3101331</b>		
<b>Price</b>	217,40 EUR						82,50 EUR		

	Regular special pressure plate		Rough surfaced special pressure plate		V-groove special pressure plate		End fastenings
							
	Hole of screw mm	Pin mm	Hole of screw mm	Pin mm	Hole of screw mm	Pin mm	
<b>SLV / GSV</b>	12	5 x 20	12	5 x 20	12	5 x 20	
<b>Order-No.</b>	<b>3100736</b>		<b>3101192</b>		<b>3101193</b>		<b>3101782</b>
<b>Price</b>	20,30 EUR		22,80 EUR		22,80 EUR		13,70 EUR




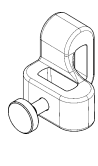
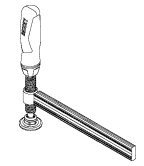
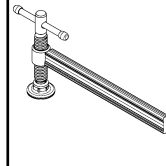
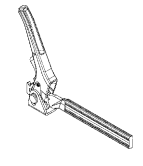
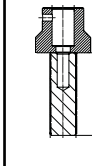
## Claw clamp – new version from 01.04.12

	Sliding arm cpl.		Screw cpl.	
	Throat depth mm	For rail mm	Acme thread mm	Tommy bar Ø x l mm
<b>GRA...12</b>	120	28 x 11	18 x 5	8 x 110
<b>Order-No.</b>	3101590		3100562	
<b>Price</b>	88,40 EUR		15,50 EUR	


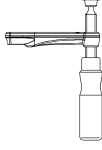
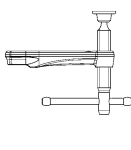
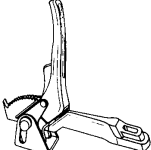
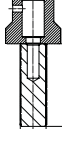
## Toggle clamps STC

	Screw set cpl.	For multifunction tables Adapter	For welding tables			
			Toggle clamp adapter		Extension	
			Hole Ø	Hole Ø	Hole Ø	Adjusting range
<b>STC-VH20 / STC-HH20 STC-IHH 15</b>		 1 Cylindrical screw DIN 912 M 8x35 1 Lock pin D20x17 1 Knurled nut M8				
<b>Order-No.</b>	3101627	–	TW16A-STC	TW28A-STC	–	
<b>Price</b>	3,90 EUR		22,10 EUR	23,10 EUR		
<b>STC-HV20 / STC-HA20 STC-IHA 15</b>						
<b>Order-No.</b>	3101627	–	–	–	–	
<b>Price</b>	3,90 EUR					
<b>STC-VH50 / STC-HH 50 STC-IHH 25</b>						
<b>Order-No.</b>	3101589	STC-SET-T20	TW16A-STC	TW28A-STC	–	
<b>Price</b>	4,30 EUR	10,70 EUR	22,10 EUR	23,10 EUR		
<b>STC-HH 70</b>						
<b>Order-No.</b>	3101588	STC-SET-T20	TW16A-STC	TW28A-STC	–	
<b>Price</b>	4,50 EUR	10,70 EUR	22,10 EUR	23,10 EUR		
<b>TW16A-STC TW16VAD / TWVAD</b>					16	15-200
<b>Order-No.</b>	–	–	–	–	TW16X	
<b>Price</b>					18,10 EUR	
<b>TW28A-STC TW28VAD / TWVAD</b>					28	15-300
<b>Order-No.</b>	–	–	–	–	TW28X	
<b>Price</b>					24,20 EUR	

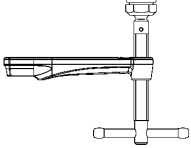



## Clamping elements with variable throat depth TWV

	Rail		Cross holder cpl.	Sliding arm cpl. with 2-component plastic handle		Sliding arm cpl. with Tommy bar		Sliding arm cpl. with lever handle		Workbench adapter
										
	Clamping height mm	Rail mm	For rail mm	Throat depth mm	For rail mm	Throat depth mm	For rail mm	Throat depth mm	For rail mm	Suitable for
<b>TWV16</b>	200	22 x 8,5	22 x 8,5	30-150	22 x 8,5	30-150	22 x 8,5	60-150	22 x 8,5	19 mm 3/4"
<b>Order-No.</b>	<b>3101740</b>		<b>3101744</b>	<b>3101741</b>		<b>3101742</b>		<b>3101743</b>		<b>TW16AW19</b>
<b>Price</b>	31,00 EUR		27,30 EUR	29,00 EUR		27,10 EUR		39,80 EUR		12,20 EUR
<b>TWV16</b>	200	22 x 8,5	22 x 8,5	30-150	22 x 8,5	30-150	22 x 8,5	60-150	22 x 8,5	20 mm/13/16"
<b>Order-No.</b>	<b>3101740</b>		<b>3101744</b>	<b>3101741</b>		<b>3101742</b>		<b>3101743</b>		<b>TW16AW20</b>
<b>Price</b>	31,00 EUR		27,30 EUR	29,00 EUR		27,10 EUR		39,80 EUR		13,30 EUR
<b>TWV16</b>	200	22 x 8,5	22 x 8,5	30-150	22 x 8,5	30-150	22 x 8,5	60-150	22 x 8,5	22 mm/7/8"
<b>Order-No.</b>	<b>3101740</b>		<b>3101744</b>	<b>3101741</b>		<b>3101742</b>		<b>3101743</b>		<b>TW16AW22</b>
<b>Price</b>	31,00 EUR		27,30 EUR	29,00 EUR		27,10 EUR		39,80 EUR		14,20 EUR
<b>TWV16</b>	200	22 x 8,5	22 x 8,5	30-150	22 x 8,5	30-150	22 x 8,5	60-150	22 x 8,5	25,4 mm/1"
<b>Order-No.</b>	<b>3101740</b>		<b>3101744</b>	<b>3101741</b>		<b>3101742</b>		<b>3101743</b>		<b>TW16AW25</b>
<b>Price</b>	31,00 EUR		27,30 EUR	29,00 EUR		27,10 EUR		39,80 EUR		14,50 EUR
<b>TWV16</b>	200	22 x 8,5	22 x 8,5	30-150	22 x 8,5	30-150	22 x 8,5	60-150	22 x 8,5	30 mm/1 3/16"
<b>Order-No.</b>	<b>3101740</b>		<b>3101744</b>	<b>3101741</b>		<b>3101742</b>		<b>3101743</b>		<b>TW16AW30</b>
<b>Price</b>	31,00 EUR		27,30 EUR	29,00 EUR		27,10 EUR		39,80 EUR		15,70 EUR
<b>TWV28</b>	300	28 x 11	28 x 11	40-175	28 x 11	40-175	28 x 11	110-175	28 x 11	–
<b>Order-No.</b>	<b>3101706</b>		<b>3101710</b>	<b>3101707</b>		<b>3101708</b>		<b>3101709</b>		–
<b>Price</b>	36,60 EUR		32,00 EUR	34,20 EUR		31,70 EUR		46,80 EUR		–


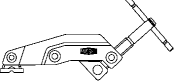
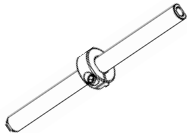
## Clamping elements with fixed throat depth TW

	Rail		Sliding arm cpl. with 2-component plastic handle		Sliding arm cpl. with Tommy bar		Sliding arm cpl. with lever handle		Workbench adapter
	Clamping height mm	Rail mm	Throat depth mm	For rail mm	Throat depth mm	For rail mm	Throat depth mm	For rail mm	Suitable for
									
<b>TW16</b>	200	22 x 8,5	100	22 x 8,5	100	22 x 8,5	100	22 x 8,5	19 mm 3/4"
<b>Order-No.</b>	<b>3101740</b>		<b>3101516</b>		<b>3101441</b>		<b>3101522</b>		<b>TW16AW19</b>
<b>Price</b>	31,00 EUR		19,90 EUR		26,10 EUR		53,20 EUR		12,20 EUR
<b>TW16</b>	200	22 x 8,5	100	22 x 8,5	100	22 x 8,5	100	22 x 8,5	20 mm/13/16"
<b>Order-No.</b>	<b>3101740</b>		<b>3101516</b>		<b>3101441</b>		<b>3101522</b>		<b>TW16AW20</b>
<b>Price</b>	31,00 EUR		19,90 EUR		26,10 EUR		53,20 EUR		13,30 EUR
<b>TW16</b>	200	22 x 8,5	100	22 x 8,5	100	22 x 8,5	100	22 x 8,5	22 mm/7/8"
<b>Order-No.</b>	<b>3101740</b>		<b>3101516</b>		<b>3101441</b>		<b>3101522</b>		<b>TW16AW22</b>
<b>Price</b>	31,00 EUR		19,90 EUR		26,10 EUR		53,20 EUR		14,20 EUR
<b>TW16</b>	200	22 x 8,5	100	22 x 8,5	100	22 x 8,5	100	22 x 8,5	25,4 mm/1"
<b>Order-No.</b>	<b>3101740</b>		<b>3101516</b>		<b>3101441</b>		<b>3101522</b>		<b>TW16AW25</b>
<b>Price</b>	31,00 EUR		19,90 EUR		26,10 EUR		53,20 EUR		14,2 EUR
<b>TW16</b>	200	22 x 8,5	100	22 x 8,5	100	22 x 8,5	100	22 x 8,5	30 mm/1 3/16"
<b>Order-No.</b>	<b>3101740</b>		<b>3101516</b>		<b>3101441</b>		<b>3101522</b>		<b>TW16AW30</b>
<b>Price</b>	31,00 EUR		19,90 EUR		26,10 EUR		53,20 EUR		15,70 EUR
<b>TW28</b>	300	28 x 11	120	28 x 11	120	28 x 11	120	28 x 11	–
<b>Order-No.</b>	<b>3101706</b>		<b>3101519</b>		<b>3101450</b>		<b>3101525</b>		–
<b>Price</b>	36,60 EUR		30,40 EUR		35,40 EUR		76,00 EUR		
<b>TW28</b>	300	28 x 11	140	28 x 11	140	28 x 11	140	28 x 11	–
<b>Order-No.</b>	<b>3101706</b>		<b>3101518</b>		<b>3101447</b>		<b>3101524</b>		–
<b>Price</b>	36,60 EUR		27,80 EUR		32,70 EUR		67,00 EUR		


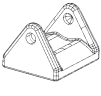





Clamping elements with special pressure plate TWM28

	Sliding arm cpl. with Tommy bar and special pressure plate		Regular special pressure plate		Rough surfaced special pressure plate		V-groove special pressure plate	
								
	Throat depth mm	For rail mm	Hole of screw mm	Pin mm	Hole of screw mm	Pin mm	Hole of screw mm	Pin mm
<b>TWM28</b>	120	28 x 11	12	5 x 20	12	5 x 20	12	5 x 20
<b>Order-No.</b>	3101521		3100736		3101192		3101193	
<b>Price</b>	51,00 EUR		20,30 EUR		22,80 EUR		22,80 EUR	

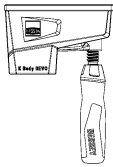
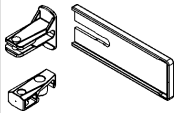

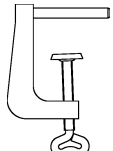
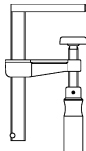
Clamping elements TW28GRS / TWVAD / TWA-STC / TW28AV

	Rail		Gripping arm cpl.		Extension	
						
	Clamping height mm	Rail mm	Throat depth mm	For rail mm	Hole Ø	Adjusting range
<b>TW28GRS</b>	300	28 x 11	120	28 x 11		
<b>Order-No.</b>	3101706		3101590		-	
<b>Price</b>	36,60 EUR		88,40 EUR			
<b>TWVAD TW16VAD TW16A-STC</b>					16	15-200
<b>Order-No.</b>	-		-		<b>TW16X</b>	
<b>Price</b>					18,10 EUR	
<b>TWVAD TW28VAD TW28A-STC TW28AV</b>					28	15-300
<b>Order-No.</b>	-		-		<b>TW28X</b>	
<b>Price</b>					24,20 EUR	

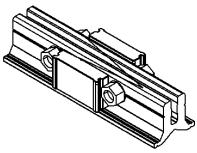
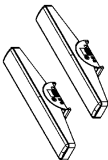
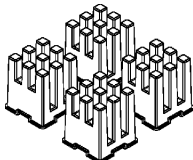
## Machine table clamps BAS, BS, SGHS

	Clamping arm	Pressure shoe	Spindle	Sliding arm cpl.		Lever with pressure cap cpl.	Trigger cpl.	Attachment
		 4 pcs. in bag	 2 pcs. in bag				 2 pcs. in bag	
				Throat depth mm	For rail mm	Bolt-Ø x l mm	Bolt-Ø x l mm	
<b>BAS...9-4</b>								
Order-No.	3101428	3101431	3101726	-		-	-	TW28HO
Price	70,40 EUR	27,30 EUR	44,40 EUR					15,50 EUR
<b>BAS...10-6</b>								
Order-No.	3101429	3101431	3101726	-		-	-	TW28HO
Price	75,40 EUR	27,30 EUR	44,40 EUR					15,50 EUR
<b>BSP...10-6</b>								
Order-No.	3101430	-	3101726	-		-	-	TW28HO
Price	70,80 EUR		44,40 EUR					15,50 EUR
<b>BAS0</b>								
Order-No.	-	-	-	-		-	-	TW28HO
Price								15,50 EUR
<b>BS2N / BS3N</b>							5h11 x 26	
Order-No.	-	-	-	-		-	3100747	TW28HO
Price							17,20 EUR	15,50 EUR
<b>BS4N</b>							5h11 x 26	
Order-No.	-	-	-	-		-	3100748	TW28HO
Price							18,10 EUR	15,50 EUR
<b>BS5N / BS6N SG-HS</b>				140	30 X 15	12 X 38		
Order-No.	-	-	-	3101432		3101029	-	TW28HO
Price				88,40 EUR		54,80 EUR		15,50 EUR
<b>GRS</b>								
Order-No.	-	-	-	-		-	-	TW28HO
Price								15,50 EUR
<b>BSG</b>								
Order-No.	-	-	-	-		-	-	TW28HO
Price								15,50 EUR

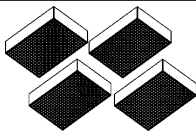
### K-Body parallel clamps KR/KRV/KRE/KREV

	Sliding arm cpl. with plastic casing		Set in bag	Table clamp		Table clamp		Table clamp	
	Throat depth mm	For rail mm		Opening mm	Throat depth mm	Opening mm	Throat depth mm	Opening mm	Throat depth mm
			 3 x protection caps 2 x contact elements 1 x end clip	 Ø 8 mm	 Ø 8 mm	 Ø 8 mm			
<b>KR...-2K</b> <b>KRV...-2K</b> <b>KRE...-2K</b> <b>KREV...-2K</b>	95	29 x 9		60	22	60	28	100	50
<b>Order-No.</b>	<b>3101774</b>		<b>3101775</b>	<b>TK6</b>		<b>RB269</b>		<b>LM10/5R8</b>	
<b>Price</b>	39,20 EUR		9,10 EUR	4,10 EUR		8,70 EUR		19,90 EUR	

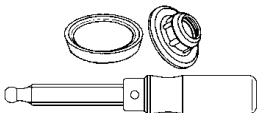
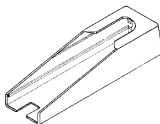
### K-Body parallel clamps K/KR/KRV/KRE/KREV

	Extender	Variable jaw		Tilting adapter		Framing set
		Throat depth mm	For rail mm	Jaw width mm	Jaw height mm	
				 2 pcs. in bag		 4 pcs. in bag
<b>K...</b>		95	29 x 9			
<b>Order-No.</b>	<b>KBX20</b>	<b>KRE-VO</b>				<b>KP</b>
<b>Price</b>	19,40 EUR	20,60 EUR				29,60 EUR
<b>KR...-2K</b> <b>KRV...-2K</b> <b>KRE...-2K</b> <b>KREV...-2K</b>		95	29 x 9	170	25	
<b>Order-No.</b>	<b>KBX20</b>	<b>KRE-VO</b>		<b>KR-AS</b>		<b>KP</b>
<b>Price</b>	19,40 EUR	20,60 EUR		13,70 EUR		29,60 EUR

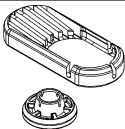
## Box clamp KS

Pressure piece	
 <p>4 pcs. in bag</p>	
<b>KS</b>	
<b>Order-No.</b>	<b>3101845</b>
<b>Price</b>	31,70 EUR

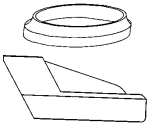
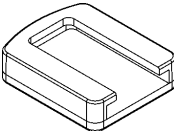
## Area pressure clamps FK

	Screw cpl. with wooden handle	Protection cap
		 <p>2 pcs. in bag</p>
	Acme thread mm	Throat depth mm
<b>FK16-8</b>		80
<b>Order-No.</b>	-	<b>3101790</b>
<b>Price</b>		4,80 EUR
<b>FK...-10</b>	16 x 4	100
<b>Order-No.</b>	<b>3101386</b>	<b>3101789</b>
<b>Price</b>	11,00 EUR	5,20 EUR


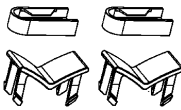
## GearKlump GK

Pressure plate with protection cap	
 <p>5 pairs</p>	
	Ø mm
<b>GK</b>	26
<b>Order-No.</b>	<b>3101840</b>
<b>Price</b>	8,00 EUR

## One-handed clamp EHZ

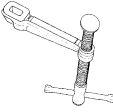
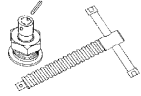
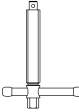
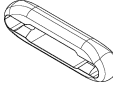

	Protection cap set	Protection cap set
	 <p>5 pairs</p>	 <p>10 pcs.</p>
	<b>Ø mm</b>	<b>mm</b>
<b>EHZ...-2K</b>	32	
<b>Order-No.</b>	<b>3101402</b>	–
<b>Price</b>	7,90 EUR	
<b>EZS</b>		40 x 48
<b>Order-No.</b>	–	<b>3101841</b>
<b>Price</b>		11,10 EUR

## Grip pliers GRZ





	Protection cap for GRZ10 and GRZ20	Protection cap for GRZRO
	 <p>4 pcs.</p>	 <p>4 pcs.</p>
<b>GRZ 10 - GRZ 20</b>		
<b>Order-No.</b>	<b>3100576</b>	–
<b>Price</b>	4,60 EUR	
<b>GRZRO</b>		
<b>Order-No.</b>	–	<b>3101547</b>
<b>Price</b>		5,70 EUR



## Rafter clamp SPZ60K und SPZ80K

	Sliding arm cpl.	Combi set (Screw + special pressure plate + pressure pin)		Screw		Tommy bar accessory KA	Pressure plate with protection cap
			without hexagonal bolt				
	For rail mm	Acme thread mm	Tommy bar Ø x Length mm	Acme thread mm	Tommy bar Ø x Length mm	2 pcs. in bag	4 pcs. in bag
<b>SPZ60K</b>	27 x 13	18 x 5	10 x 120				
<b>Order-No.</b>	<b>3101338</b>	<b>3100398</b>		-		<b>3101194</b>	<b>3101188</b>
<b>Price</b>	51,00 EUR	40,10 EUR				12,80 EUR	11,00 EUR
<b>SPZ80K</b>	30 x 15	20 x 5	11 x 120	20 x 5	11 x 120		
<b>Order-No.</b>	<b>3101330</b>	<b>3100399</b>		<b>3101815</b>		-	-
<b>Price</b>	64,70 EUR	44,00 EUR		23,90 EUR			

## Rafter clamp SPZ80K

	Regular special pressure plate		Rough surfaced special pressure plate		V-groove special pressure plate		Cutting ring	
								
	Hole of screw mm	Pin mm	Hole of screw mm	Pin mm	Hole of screw mm	Pin mm	Hole of screw mm	Pin mm
<b>SPZ80K</b>	12	5 x 20	12	5 x 20	12	5 x 20	12	5 x 20
<b>Order-No.</b>	<b>3100736</b>		<b>3101192</b>		<b>3101193</b>		<b>3101219</b>	
<b>Price</b>	20,30 EUR		22,80 EUR		22,80 EUR		22,20 EUR	

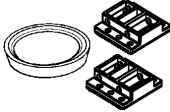
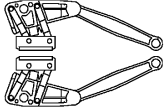
## Mini Vice S10 Angle clamp WS

	Table clamp		Table clamp		Table clamp	
	Ø 8 mm		Ø 8 mm		Ø 8 mm	
	Opening mm	Throat depth mm	Opening mm	Throat depth mm	Opening mm	Throat depth mm
<b>S10-ST</b>	60	22	60	28	100	50
<b>Price</b>	<b>TK6</b> 4,10 EUR		<b>RB269</b> 8,70 EUR		<b>LM10/5R8</b> 19,90 EUR	


## Band clamps BAN

	Clamping strap spare part/enlargement
<b>BAN 700 / SVH 400</b>	strap 7100 m, 2 buckles
<b>Order-No.</b>	<b>3100832</b>
<b>Price</b>	16,00 EUR

## One-handed edge clamp EKT

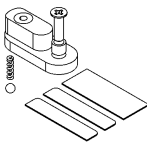
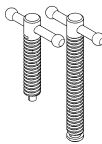
	Repair kit	Jaw cpl. with push rod
	 <p>3 pairs of large jaws and 3 ps. protection caps</p>	 <p>2 pairs</p>
<b>EKT55</b>		
<b>Order-No.</b>	<b>3101403</b>	<b>3100998</b>
<b>Price</b>	<b>20,70 EUR</b>	<b>23,70 EUR</b>

## Kantenfix KF and panel carrier KFP


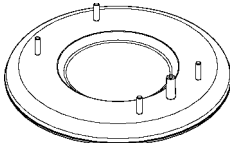
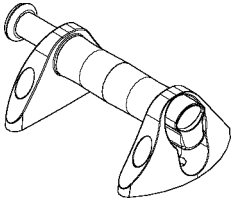
	Jaws
	 <p>1 pair incl. spring</p>
<b>KF2</b>	
<b>Order-No.</b>	<b>4102100</b>
<b>Price</b>	<b>33,30 EUR</b>
<b>KF4</b>	
<b>Order-No.</b>	<b>4102056</b>
<b>Price</b>	<b>36,70 EUR</b>
<b>KFP</b>	
<b>Order-No.</b>	<b>4102057*</b>
<b>Price</b>	<b>60,10 EUR</b>

\* suitabel for KFP from 2018 (red jaws)

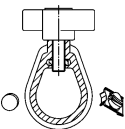
## Front frame clamp FRZ

	Drill guide assembly	Spindle set
		
<b>FRZ12</b>		
Order-No.	3101874	3101875
Price	4,40 EUR	9,20 EUR


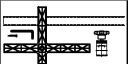

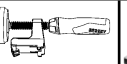



## Seaming Tools PS

	Vacuum adaptor	Rubber pad	Handle
			
	Ø mm	Ø mm	
<b>PS 55</b>	120		
Order-No.	3101839	–	–
Price	47,80 EUR		
<b>PS 130</b>		210	
Order-No.	–	3101685	3101686
Price		68,60 EUR	73,20 EUR

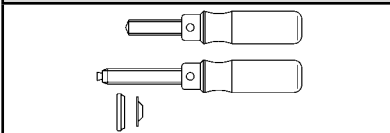
## Door frame assembly device TMS

	Clamping piece
	
<b>TMS</b>	
Order-No.	3100983
Price	4,10 EUR

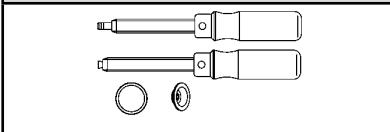
## Door frame clamp TU

	Pressure pad with interior tube cpl.	Pressure pad with exterior tube cpl.	Auxiliary clamp incl. slide piece	Bracket	Extension	Felt strip	Bag
							
		Inter. dimension mm				4 pcs. in bag	
<b>TU</b>		25 x 25					
<b>Order-No.</b>	<b>3100934</b>	<b>3100935</b>	<b>3101752</b>	<b>3101764</b>	<b>TUX</b>	<b>3101632</b>	<b>3101762</b>
<b>Price</b>	26,60 EUR	27,30 EUR	24,20 EUR	12,20 EUR	27,50 EUR	6,20 EUR	75,90 EUR

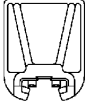
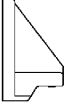
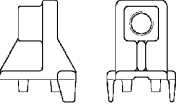
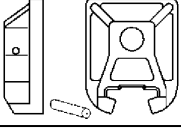
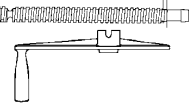
## Door frame straightening clamp TFM

	2 x spindle with loose pad and protection cap
	
<b>TFM</b>	
<b>Order-No.</b>	<b>3101408</b>
<b>Price</b>	16,70 EUR

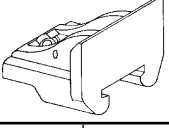
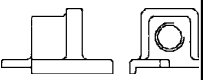
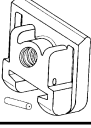
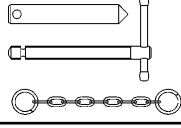
## Window installation clamp FRK

	2 x spindle with loose pad and protection cap
	
<b>FRK</b>	
<b>Order-No.</b>	<b>3101409</b>
<b>Price</b>	16,70 EUR

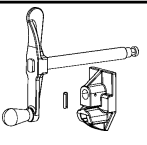
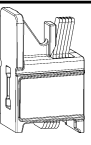
## Sash clamps TAN

	Pressure jaw		Screw guide	Clamping jaw	Screw set TAN
					
	Jaw width mm	Jaw height mm	Acme thread mm		
<b>TAN</b>	75	80	20 x 5		
Order-No.	<b>3101791</b>		<b>3101824</b>	<b>3100919</b>	<b>3101404</b>
Price	38,60 EUR		34,60 EUR	47,80 EUR	35,00 EUR

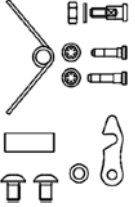
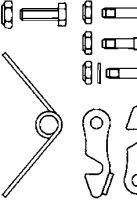
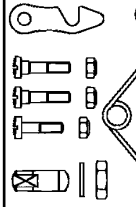
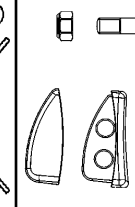

## Sash clamps TB

	Pressure jaw		Screw guide	Clamping jaw	Screw set TB
					
	Jaw width mm	Jaw height mm	Acme thread mm		
<b>TB</b>	60 (80)	48	18 x 5		
Order-No.	<b>3101793</b>		<b>3101792</b>	<b>3100920</b>	<b>3101405</b>
Price	27,30 EUR		27,00 EUR	29,80 EUR	19,40 EUR

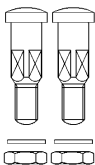
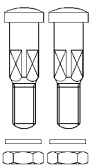
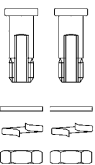
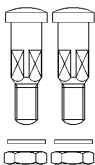

## Sash clamps TL

	Screw set TL	Pressure jaw
		
<b>TL</b>		
Order-No.	<b>3101876</b>	<b>3101877</b>
Price	16,80 EUR	20,60 EUR

## Compound leverage snips



	Repairing set 08/22A 27/29/123S	Repairing set 16	Repairing set 17A-2	Lower hold complete 123S	Pouch
					  for 3 snips
<b>D08 ... D16A D22A D27AH-TiN/L</b>					
<b>Order-No.</b>	<b>R032</b>	-	-	-	<b>7002464</b>
<b>Price</b>	6,30 EUR				8,10 EUR
<b>D16 / D16L / D16S</b>					
<b>Order-No.</b>	-	<b>R030</b>	-	-	<b>7002464</b>
<b>Price</b>		6,30 EUR			8,10 EUR
<b>D27... D29...</b>					
<b>Order-No.</b>	<b>R001</b>	-	-	-	<b>7002464</b>
<b>Price</b>	6,30 EUR				8,10 EUR
<b>D17A-2/L</b>					
<b>Order-No.</b>	-	-	<b>R043</b>	-	<b>7002464</b>
<b>Price</b>			6,40 EUR		8,10 EUR
<b>D123 S</b>					
<b>Order-No.</b>	<b>R001</b>	-	-	<b>R042</b>	<b>7002464</b>
<b>Price</b>	6,30 EUR			12,20 EUR	8,10 EUR

## Standard tin snips

	Screw complete M6 D8 x 24	Screw complete M6 D8 x 26	Screw complete M8 x1 x 22	Screw complete M6 D8 x 26	Pouch
	 <p>2 pcs.</p>	 <p>2 pcs.</p>	 <p>2 pcs.</p>	 <p>2 pcs.</p>	 <p>for 3 snips</p>
<b>D101-200 – D101-250</b> <b>D201-200 – D201-250</b> <b>D102-225</b> <b>D202-225</b> <b>D107-225 – D107-275</b> <b>D207-225 – D207-275</b> <b>D114-250 – D114-275</b> <b>D214-250 – D214-275</b> <b>D159-200 – D159-250</b>					
<b>Order-No.</b> <b>Price</b>	<b>R034</b> 5,30 EUR	–	–	–	<b>7002464</b> 8,10 EUR
<b>D102-250 – D102-300</b> <b>D202-250 – D202-300</b> <b>D106-250</b> <b>D106A-250</b> <b>D107-300 – D107-350</b> <b>D207-300 – D207-350</b> <b>D208-275</b> <b>D209-275</b> <b>D114-300</b> <b>D214-300</b> <b>D159-300 – D159-350</b>					
<b>Order-No.</b> <b>Price</b>	–	<b>R035</b> 5,30 EUR	–	–	<b>7002464</b> 8,10 EUR
<b>D116-260 – D116-280</b> <b>D216-260 – D216-280</b> <b>D216-260-B-SBSK</b> <b>D216-280-B-SBSK</b> <b>D118-300 – D118-350</b> <b>D218-300 – D218-350</b> <b>D416-280</b> <b>D 418-300 – D418-350</b>					
<b>Order-No.</b> <b>Price</b>	–	–	<b>R036</b> 5,30 EUR	–	<b>7002464</b> 8,10 EUR
<b>D407-275 – D407-300</b>					
<b>Order-No.</b> <b>Price</b>	–	–	–	–	<b>7002464</b> 8,10 EUR



## Nibbler

	Replacement blades	Spare mould
		
<b>D24</b>		
<b>Order-No.</b>	<b>D241</b>	<b>D242</b>
<b>Price</b>	12,50 EUR	16,50 EUR

## Folding utility knife

	Standard blade	Hook blade	Linoleum blade
			
	10 pcs.	10 pcs.	5 pcs.
<b>DBKPH DBKWH DBKAH</b>			
<b>Order-No.</b>	<b>DBK-T</b>	<b>DBK-H</b>	<b>DBK-L</b>
<b>Price</b>	3,50 EUR	5,80 EUR	6,30 EUR



Simply better.



Accessories and spare part list EN/EUR 2020 „h1“

**[www.bessey.de](http://www.bessey.de)**

BESSEY Tool GmbH & Co. KG ■ Mühlwiesenstraße 40  
74321 Bietigheim-Bissingen, Germany  
Fon +49 7142 401-0 ■ Fax +49 7142 401-452  
E-Mail: [info@bessey.de](mailto:info@bessey.de)